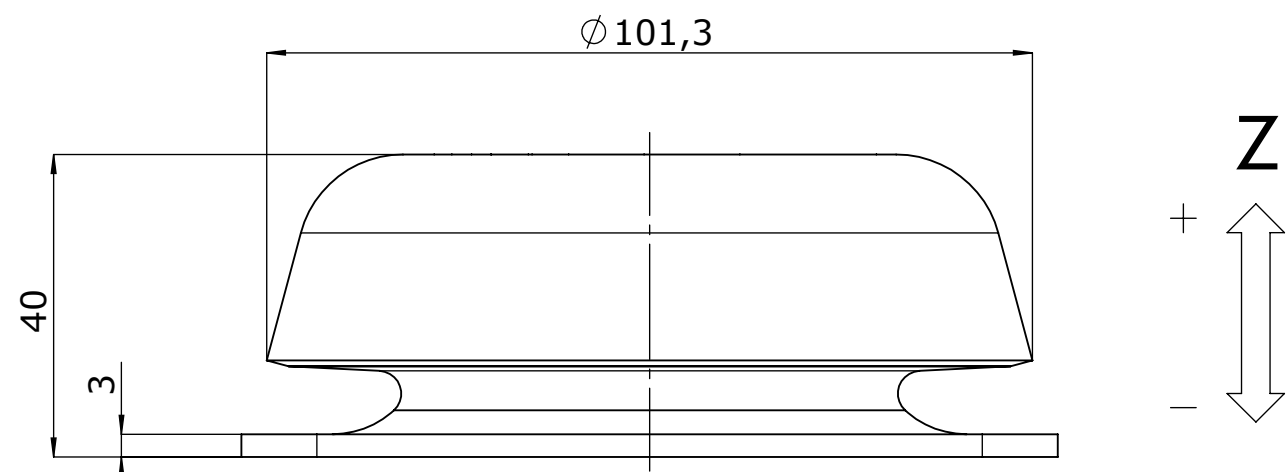


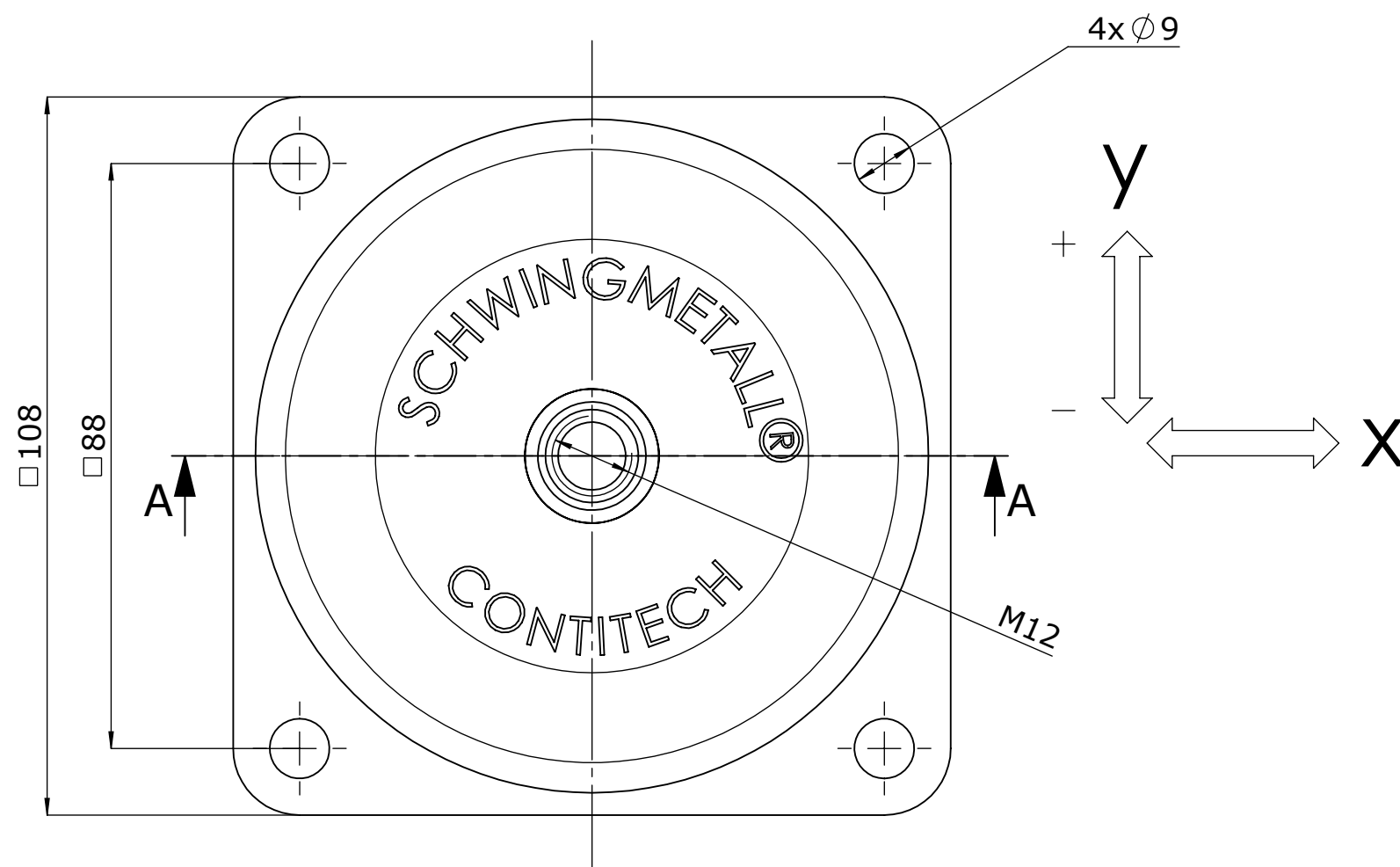
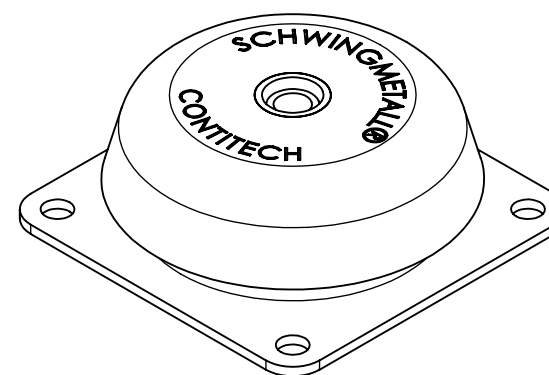
For information only

Notes:

- 1) Mounts with integrated stop disk for tear off protection
- 2) Tensile force for tear off protection > 20kN
- 3) For leveling adjustment spindle see drawing EF17-0737
- 4) Main effective working direction Z
- 5) For static characteristic see table



Spring Stiffness			Max. Loads			Elastomer
Cx	Cy	Cz	Fx	Fy	Fz	Hardness
[N/mm]	[N/mm]	[N/mm]	[N]	[N]	[N]	[Shore A]
410	410	505	900	900	1965	40
746	746	910	1650	1650	3500	55
1180	1180	1315	2600	2660	4950	65



Only the english language version of the text is binding			
Pay attention to copyright note ... Schutzvermerk nach DIN ISO 16016 beachten		General tolerances DIN ISO 2768-mK Allgemeintoleranzen DIN ISO 3302 M3	
Tolerancing principal DIN EN ISO 14405 (E) Tolerierungsgrundsatz		Lengths, radii, chamfers Laengen, Radien, Fasen	
First angle projection ... Projektionsmethode ISO 5456-2		Angles Winkel	
Edges ISO 13715 Werkstueckkanten		Straightness, flatness Geradheit, Ebenheit	
Surfaces DIN ISO 1302 Oberflaechen		Circularity, circular run out Rundheit, Lauf	
Surface calculated [cm²] Oberflaeche berechnet		Parallelism, perpendicularity Parallelitaet, Rechtwinkligkeit	
Volume calculated [dm³] Volumen berechnet		Symmetry Symmetrie	
Mould no.: 210642 Formnr.:		Code: -----	
Scale Maasstab	Drawn Gezeichnet	13.11.20	R&D Slovakia SolidWorks Format A2
1:1	Checked Geprueft		Continental ContiTech Vibration Control Slovakia s.r.o.
	Confirmed Genehmigt		
Name: Benennung:		Replace for: Ersatz fuer:	
Schwingmetall® Dome Mounts AS (customer drawing)		Belongs to: Gehoert zu.:	
Weight: 0,75kg		Drawing no.: Zeichnungs-Nr.:	
		EF/304/048	